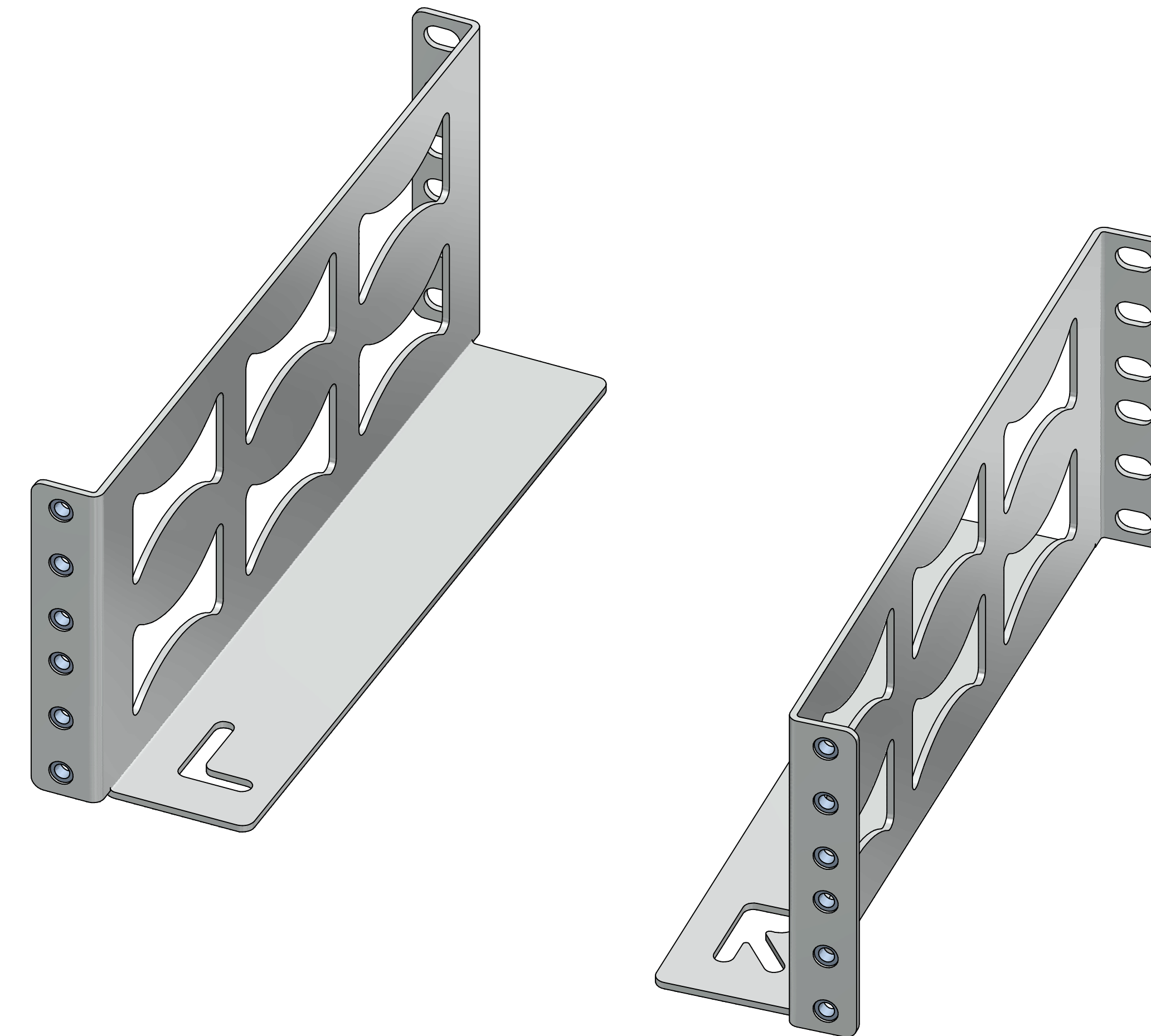
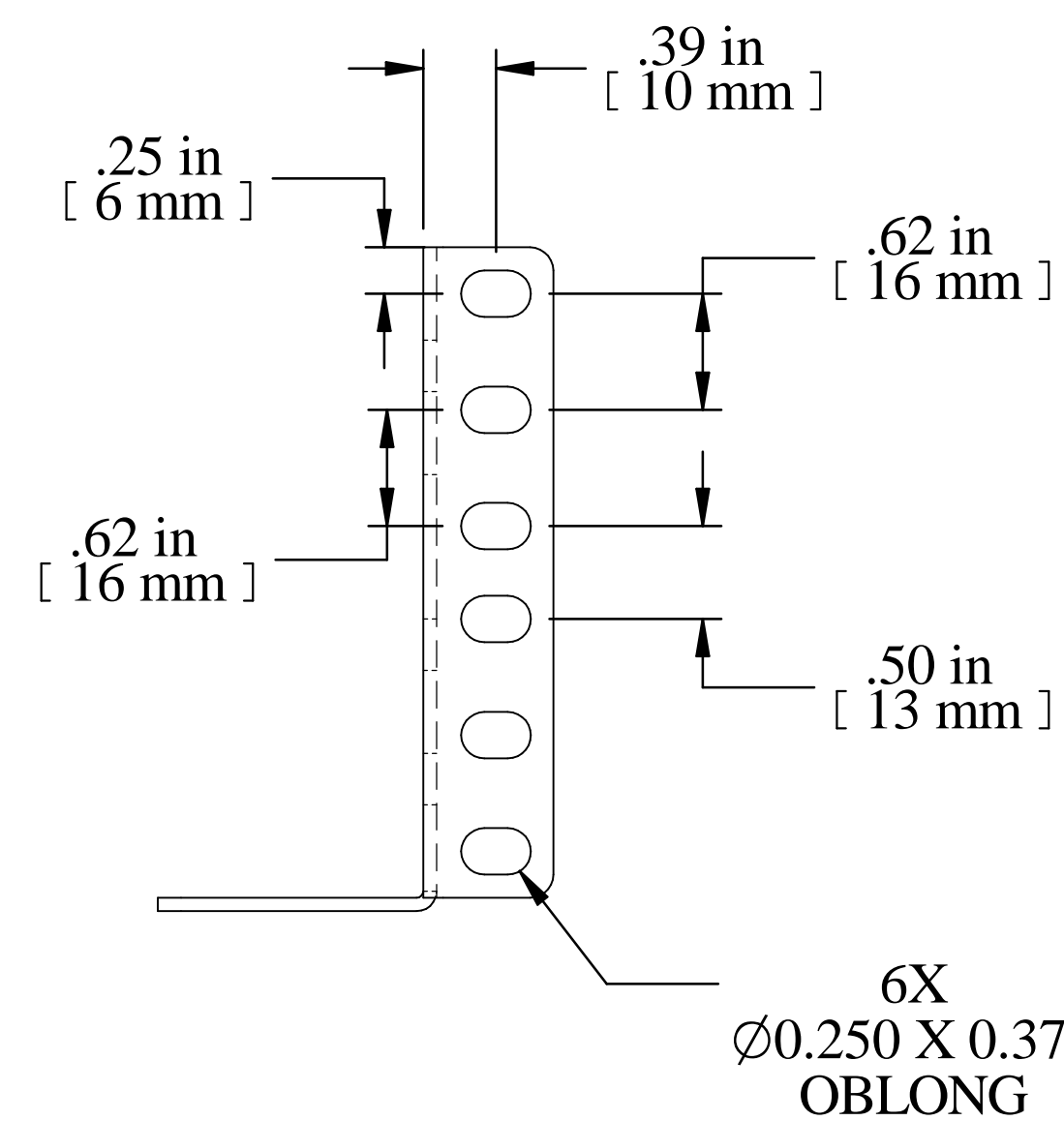
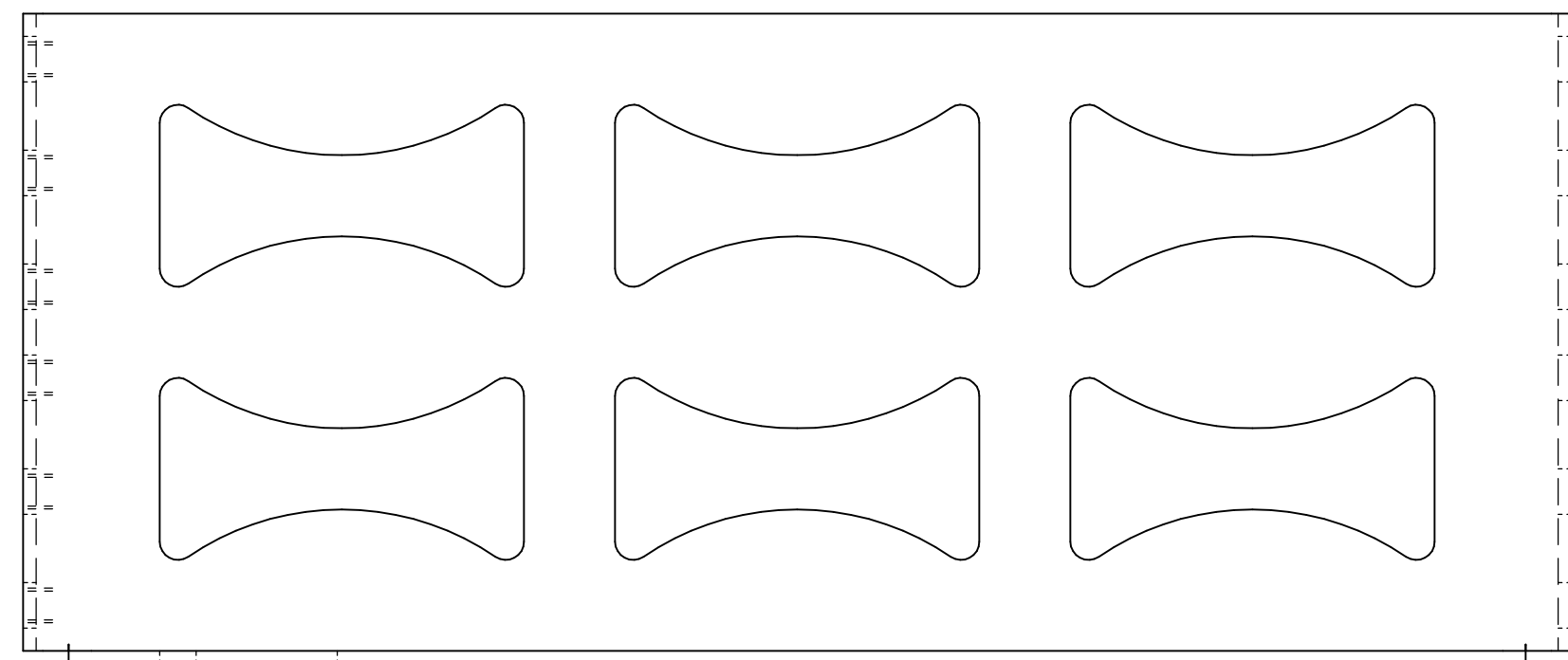


10-32 PRE-INSTALLED
PEM NUTS



Sold with 2 Right and 2 Left

PART NUMBERS

RDAB2U20	PAINTED BLACK SMOOTH
----------	----------------------

NOTES

Sold with 2 Right and 2 Left
10-32 X 5/8 Pan Head Screw (Qty. 8) included
10-32 Pem Nuts installed for easy mounting

Data subject to change without notice. Isometric drawing not to scale.



**HAMMOND
MANUFACTURING™**

www.hammondmfg.com

PART NO. RDAB2U20